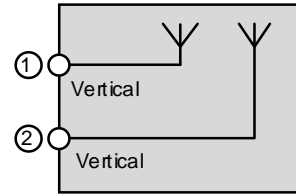


MIMO VV-Pol Panel Antenna, 380MHz-4300MHz



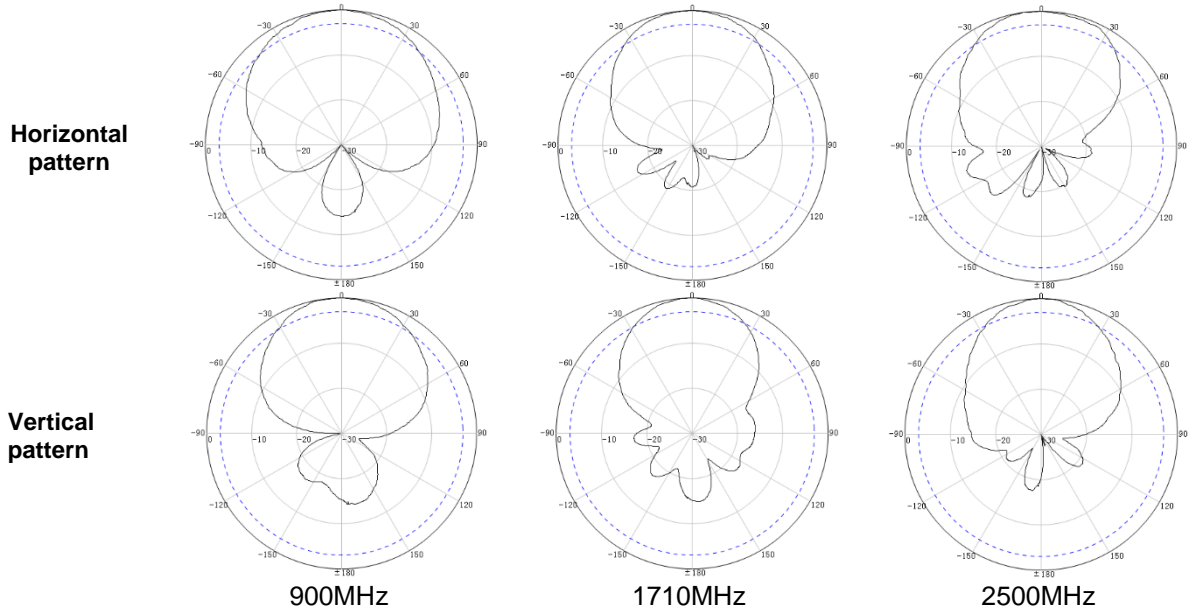
not binding



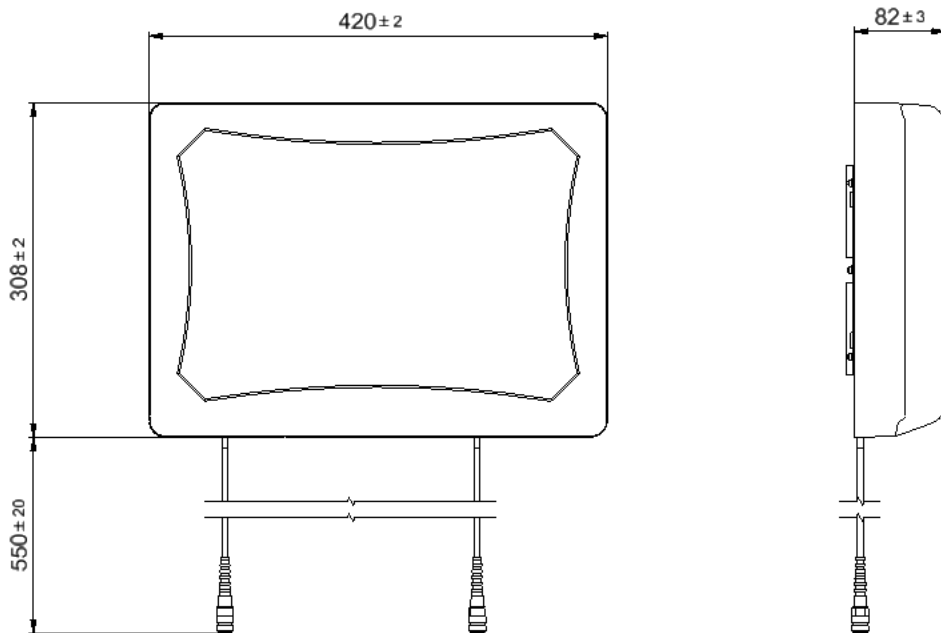
block diagram

Part number		BN A77696			
Connector		2 x 4.3-10 female (50 Ω)			
Frequency range, [MHz]		380-470	698-960	1710-2700	3300-4300
Gain, [dBi]		2.0±1.0	5.0±1.0	7.0±1.0	6.0±1.0
Polarization		Dual Vertical			
Beam width (Typical)	Horizontal, [deg]	150	85	75	55
	Vertical, [deg]	50	65	65	30
VSWR		≤2.5	≤2.0	≤2.0	≤2.0
Isolation, [dB]		>10	>18	>20	>25
Intermodulation (IM3) @ 2x 20 W, [dBc]		/	≤-150		
Input power, [W]		max. 50 per port.			
Degree of protection		Indoor / IP54			
Weight, without Mounting Kit, [kg]		1.6			
Radome Material and Color		ABS, White, RAL9003			
Temperature range, [°C]		-55 - +60			
Dimensions (H x W x D), [mm]		308 x 420 x 82			
Pigtail Length, [mm]		550(white)			
Operational Humidity		<95%			
RoHS		Compliant			
Flammability rating		UL 94-V0			
Fire load, [kWh]		7.37			
Installation instructions		M36536			
Mounting Kit		On-wall			

Radiation pattern:



Dimensions and mounting:



Standard:
4.3-10 female (50 ohms): IEC 61169-54

Subject to change without notice

Mounting kit:

