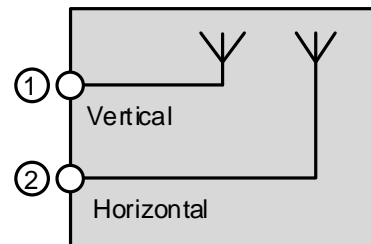


MIMO VH-Pol Omni Antenna, 698MHz-4000MHz



not binding

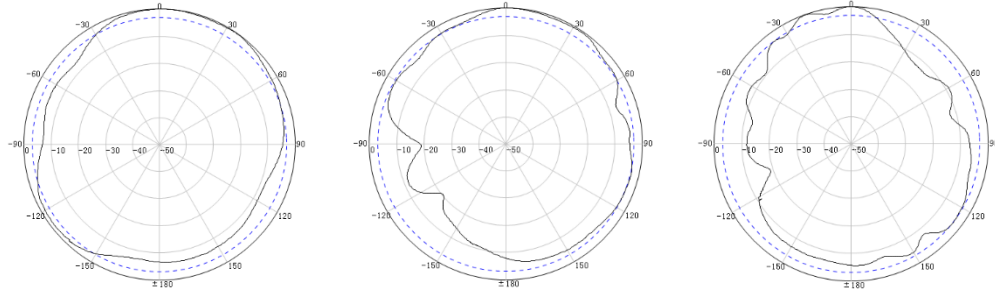


block diagram

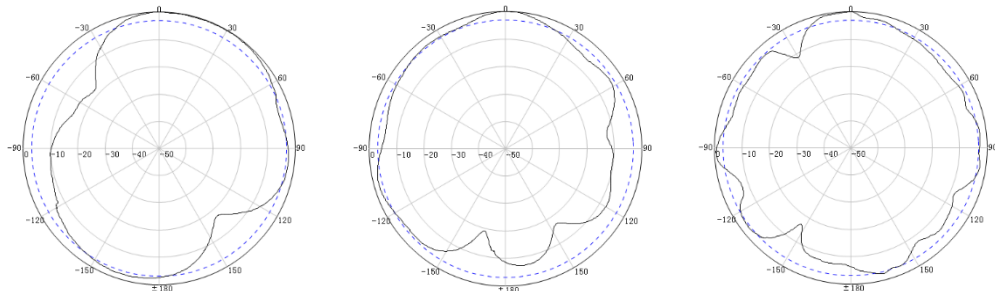
Part number	20A77142			
Connector	2 x 4.3-10 female (50 Ω)			
Frequency range, [MHz]	698-806	806-960	1710-2700	3400-4000
Gain, [dBi]	3.0±0.5	3.5±0.5	4.5±1.0	5.0±1.0
Polarization	Vertical and Horizontal			
Beam width (Typical)	Horizontal, [deg]	360		
	Vertical, [deg]	90	85	45 35
Isolation, [dB]	>17	>17	>20	>25
VSWR	≤2.0			
Intermodulation (IM3) @ 2x 20 W, [dBc]	≤ -150			
Input power, [W]	max. 50			
Degree of protection	Indoor / IP54			
Weight, without Mounting Kit, [kg]	0.5			
Radome Material and Color	ABS, White, RAL9003			
Temperature range, [°C]	-55 – +60			
Dimensions, [mm]	Ø218 x 40			
Operational Humidity	<95%			
RoHS	Compliant			
Flammability rating	UL 94-V0			
Mounting Kit	Ceiling, via hole(standard)			

Radiation pattern:

Horizontal pattern



Vertical pattern

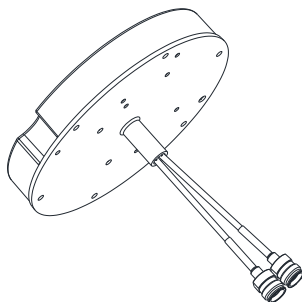
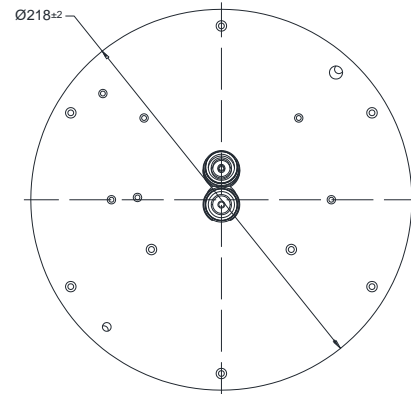
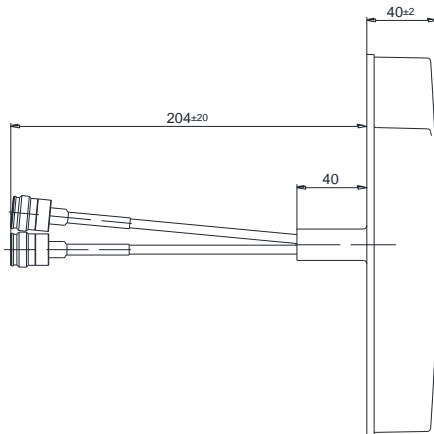


698-960MHz

1710-2170MHz

2170-2700MHz

Dimensions and mounting:



Standard:

4.3-10 female (50 ohms): IEC 61169-54

Subject to change without notice